



FBI APPENDIX F FAP 45 CERTIFIED TWO-FINGER ROLL SCANNER



Amazingly small, incredibly durable,
remarkably efficient FAP 45 scanner



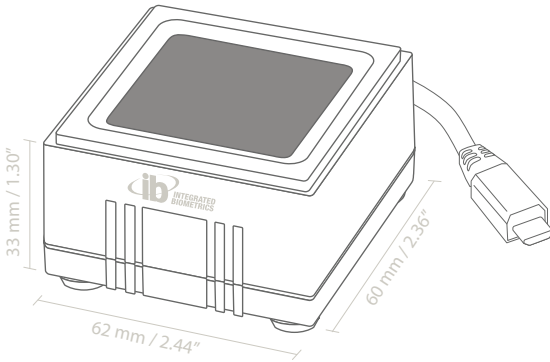
IB's patented Light Emitting Sensor (LES) film
produces the highest quality fingerprint
images in the certified market



Applications: Standalone fingerprint scanner
Embedded module for mobile applications
also available

WATSON MINI

by **INTEGRATED BIOMETRICS**



BENEFITS

- Enables fingerprint capture in standalone applications, smartphones, and tablets
- Light weight (85 grams)
- Dual flat print and single-finger roll scan
- No membranes
- Ideal for use with mobile computers, hand-held devices, smartphones, and tablets
- Excellent with dry and dirty fingers
- Durable and shock resistant
- Operates in direct sunlight

| | | | |
|--------------------------------|--|------------------------------|----------------------------------|
| RESOLUTION | 500 PPI | GRAYSCALE | 256 Grayscale Dynamic Range |
| SUPPORTED IMAGE FORMATS | RAW, WSQ, BMP, JPEG2000, PNG | SENSING AREA | 1.6" x 1.5" / 40.64 mm x 38.1 mm |
| IMAGE SIZE | 800 x 750 pixels | INTERFACE | USB 2.0 |
| USB CERTIFICATION SPEC | USB-IF USB.ORG | USB LEVEL | 4.40V – 5.25V |
| POWER SOURCE | USB Host | HAZARDOUS MATERIAL | RoHS Directive 2002/95/EC |
| INGRESS PROTECTION | IP65 bezel to film | SURFACE DURABILITY | MIL-C-675c 4.5010, MIL-STD-810F |
| HUMIDITY | 30~85% RH < 40°C / 104°F (Non-condensing) | OPERATING TEMPERATURE | -20°C ~ +60°C / -4°F ~ 140°F |
| SCANNER ASSEMBLY | 2.36" x 2.44" x 1.30" / 60mm x 62mm x 33mm | | |
| FCC/CE CONFORMANCE | FCC Part 15 (per ANSI C62.4:2003) Class A, CSA ICES-003 Class A, CE Emissions: EN 55022:2006 Class A, CE Immunity EN 55024:1998/A1:2001/A2:2003, IEC 61000-4-2 | | |
| CERTIFICATION | Mobile ID IQS FAP 45, PIV, GSA FIPS 201, FBI Appendix F Certified | | |
| POWER CONSUMPTION | DC Current: <40mA idle, <250mA VBUS = +5.0VDC full scanning | | |
| API INTERFACE | Capture Two Finger Direct and Single Finger Roll Image, Multi-device / Multi-thread support | | |
| OS SUPPORT | Windows 7, Windows 8.X, Windows XP, Windows Server, Windows Mobile 6.5, Linux, Android 4.0 (or higher) | | |
| SURFACE RESISTANCE | Ammonia, IPA, Methanol, Soaps/detergents, Salt Water | | |
| VIBRATION TEST | per MIL-STD-810F (Method 514.5), Category 24, Fig. 514.5C-17 | | |



| PRODUCT OPTION | PART NUMBER | TOTAL WEIGHT |
|--|-------------|--------------|
| Watson Mini USB Type A - 4ft (1.22 m) cable | IBHWM2FR-01 | |
| Watson Mini 3" (7.62 cm) Micro USB Type B | IBHWM2FR-02 | |
| Watson Mini 24" (60.96 cm) Micro USB Type B | IBHWM2FR-03 | |
| Watson Mini Embedded 7.87" (20 cm) cable - molex connector | IBHWM2FR-01 | |
| Watson Mini Embedded, molex connector - standard embedded | IBHWM2FR-01 | |
| Watson Mini USB Type A - 1.8m cable | IBHWM2FR-06 | 172 grams |

*OEM versions available with sleep mode functionality (IDC<2mA)

**USB-IF certified connectors may be required for some USB ports