



## FBI APPENDIX F FAP 45 CERTIFIED TWO-FINGER ROLL SCANNER



Amazingly small, incredibly durable,  
remarkably efficient FAP 45 scanner



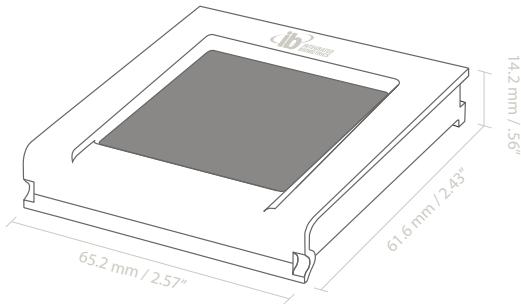
IB's patented Light Emitting Sensor (LES) film  
produces the highest quality fingerprint  
images in the certified market



Applications: Standalone fingerprint scanner  
Embedded module for mobile applications  
also available

# SHERLOCK

by **INTEGRATED BIOMETRICS**



## BENEFITS

- Enables fingerprint capture in standalone applications, smartphones, and tablets
- Light weight (<55 grams / 1.94oz)
- Dual at print and single-finger roll scan
- No membranes
- Ideal for use with mobile computers, hand-held devices, smartphones, and tablets
- Excellent with dry and dirty fingers
- Durable and shock resistant
- Operates in direct sunlight

<b>RESOLUTION</b>	500 PPI	<b>GRAYSCALE</b>	256 grayscale dynamic range
<b>SENSING AREA</b>	1.6" x 1.5" / 40 mm x 38 mm	<b>IMAGE SIZE</b>	800 x 750 pixels
<b>SUPPORTED IMAGE FORMATS</b>	RAW, JPEG2000, BMP, PNG, WSQ	<b>PRODUCT WEIGHT</b>	<55 Grams / 1.94oz
<b>OPERATING TEMPERATURE</b>	-10°C ~ +55°C / 14°F ~ 131°F	<b>STORAGE TEMPERATURE</b>	-40°C ~ +80°C / -22°F ~ 140°F
<b>HAZARDOUS MATERIAL</b>	RoHS Directive 2002/95/EC	<b>INGRESS PROTECTION</b>	IP65 Sealed bezel to scanning surface
<b>USB CERTIFICATION SPEC</b>	USB-IF USB.ORG	<b>SURFACE DURABILITY</b>	MIL-C-675c 4.5010, MIL-STD-810F
<b>INTERFACE</b>	USB 2.0 (Pogo Pin, Molex 51146-0600, Molex 51021-0600)		
<b>HUMIDITY</b>	30~85% RH < 40°C / 104°F (Non-condensing)		
<b>USB POWER REQUIREMENT</b>	4.40V – 5.25V, Full Scanning TFT <300mA; Suspend <2mA		
<b>SCANNER PHYSICAL SIZE</b>	65.1 mm x 61.7 mm x 14.2 mm / 2.56" x 2.43" x 0.56"		
<b>FCC/CE CONFORMANCE</b>	FCC Part 15 (per ANSI C62.4:2003) Class A, CSA ICES-003 Class A, CE Emissions: EN 55022:2006 Class A, CE Immunity EN 55024:1998/A1:2001/A2:2003, IEC 61000-4-2		
<b>FBI CERTIFICATION</b>	Mobile ID IQS FAP 45, PIV, GSA FIPS 201, FBI Appendix F Certified		
<b>POWER CONSUMPTION</b>	<270mA during full scanning mode / standby 60mA		
<b>AIR DISCHARGE / CONTACT DISCHARGE</b>	In compliance with IEC 61000-4-2		
<b>API INTERFACE</b>	Capture Single Finger Direct / Rolls - Multi-device / Multi-thread support		
<b>OS SUPPORT</b>	Windows 7, Windows 8.X Windows Server, Windows Mobile 6.5, Linux, Android 4.0 (or higher)		
<b>SURFACE RESISTANCE</b>	Ammonia, IPA, Methanol, Soaps/detergents, Salt Water		
<b>VIBRATION TEST</b>	per MIL-STD-810F (Method 514.5), Category 24, Fig. 514.5C-17		



PRODUCT OPTION	PART NUMBER
Sherlock with Pogo Pin	IBHTFT2FR-01
Sherlock with J1 Port Cable	IBHTFT2FR-02
Sherlock with 6" J1 Port Cable	IBHTFT2FR-03
Sherlock Boot	IBHTFT2FR-01SK
Sherlock Kit	IBHTFT2FR-01SKA